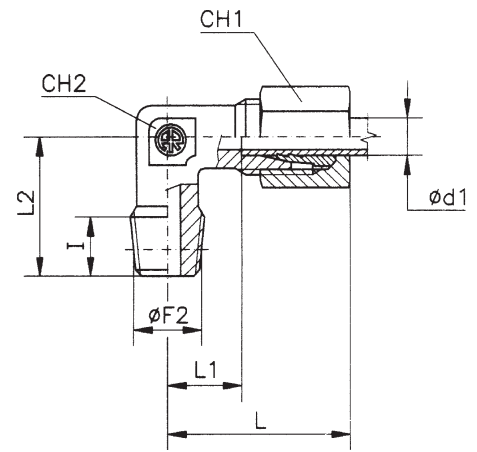




TN 94

RACCORDO DI ESTREMITÀ A GOMITO
 COUDE MÂLE
 STUD ELBOWS
 WINKEL-EINSCHRAUBVERSCHRAUBUNGEN



Filettatura:
 Gas conica
 Metrica conica
 NPT

Filetage:
 Gaz conique
 Métrique conique
 NPT

Thread
 B.S.P. tapered
 Metric tapered
 NPT

Einschraubgewinde:
 Whitworth-Rohrgewinde kegelig
 Metrisches Feingewinde kegelig
 NPT

Serie Série Series Reihe	Ø Tubo Ø Tube Tube O.D. Rohr AD d ₁	PN	Ø F2			a)						Simbolo di ordinazione - Références Bestell - Nr. - Part. No.			Peso Poids Weight Gewicht kg.x100 P.
			R	M	NPT	I	L	L1	L2	CH1	CH2	R	M	NPT	
LL	100	4	1/8"	8 x 1	1/8"	8	21	11	17	10	9	TN 94 - 4 LLR	TN 94 - 4LLM	TN 94 - 4LLNPT	2,0
		5	1/8"	8 x 1	1/8"	8	21	9,5	17	12	9	TN 94 - 5 LLR	TN 94 - 5LLM	TN 94 - 5LLNPT	2,0
		6	1/8"	10 x 1	1/8"	8	21	9,5	17	12	9	TN 94 - 6 LLR	TN 94 - 6LLM	TN 94 - 6LLNPT	2,0
		8	1/8"	10 x 1	1/8"	8	23	11,5	20	14	12	TN 94 - 8 LLR	TN 94 - 8LLM	TN 94 - 8LLNPT	2,5
		10	1/4"	-	-	12	27	15	25	17	14	TN 94 - 10 LLR	-	-	3,5
		12	1/4"	-	-	12	25	13	23	19	17	TN 94 - 12 LLR	-	-	5,0
L	315	6	1/8"	10 x 1	1/8"	8	27	12	20	14	12	TN 94 - 6 LR	TN 94 - 6LM	TN 94 - 6LNPT	3,5
		8	1/4"	12 x 1,5	1/4"	12	29	14	26	17	12	TN 94 - 8 LR	TN 94 - 8LM	TN 94 - 8LNPT	5,0
		10	1/4"	14 x 1,5	1/4"	12	30	15	27	19	14	TN 94 - 10 LR	TN 94 - 10LM	TN 94 - 10LNPT	6,0
		12	3/8"	16 x 1,5	3/8"	12	32	17	28	22	17	TN 94 - 12 LR	TN 94 - 12LM	TN 94 - 12LNPT	8,5
		15	1/2"	18 x 1,5	1/2"	14	36	21	34	27	19	TN 94 - 15 LR	TN 94 - 15LM	TN 94 - 15LNPT	14,5
		18	1/2"	22 x 1,5	1/2"	14	40	23,5	36	32	24	TN 94 - 18 LR	TN 94 - 18LM	TN 94 - 18LNPT	17,0
	160	22	3/4"	-	3/4"	16	44	27,5	42	36	27	TN 94 - 22 LR	-	TN 94 - 22LNPT	23,5
		28	1"	-	1"	18	47	30,5	48	41	36	TN 94 - 28 LR	-	TN 94 - 28LNPT	37,5
		35	1" 1/4	-	1" 1/4	20	56	34,5	54	50	41	TN 94 - 35 LR	-	TN 94 - 35LNPT	57,0
42	1" 1/2	-	1" 1/2	22	63	40	61	60	50	TN 94 - 42 LR	-	TN 94 - 42LNPT	83,0		
S	630	6	1/4"	12 x 1,5	1/4"	12	31	16	26	17	12	TN 94 - 6 SR	TN 94 - 6SM	TN 94 - 6SNPT	5,5
		8	1/4"	14 x 1,5	1/4"	12	32	17	27	19	14	TN 94 - 8 SR	TN 94 - 8SM	TN 94 - 8SNPT	7,2
		10	3/8"	16 x 1,5	3/8"	12	34	17,5	28	22	17	TN 94 - 10 SR	TN 94 - 10SM	TN 94 - 10SNPT	10,3
		12	3/8"	18 x 1,5	3/8"	12	38	21,5	31	24	17	TN 94 - 12 SR	TN 94 - 12SM	TN 94 - 12SNPT	11,0
		14	1/2"	20 x 1,5	1/2"	14	40	22	32	27	19	TN 94 - 14 SR	TN 94 - 14SM	TN 94 - 14SNPT	16,0
	400	16	1/2"	22 x 1,5	1/2"	14	43	24,5	32	30	24	TN 94 - 16 SR	TN 94 - 16SM	TN 94 - 16SNPT	19,5
		20	3/4"	-	3/4"	16	48	26,5	42	36	27	TN 94 - 20 SR	-	TN 94 - 20SNPT	30,3
		25	1"	-	1"	18	54	30	48	46	36	TN 94 - 25 SR	-	TN 94 - 25SNPT	57,0
		30	1" 1/4	-	1" 1/4	20	62	35,5	54	50	41	TN 94 - 30 SR	-	TN 94 - 30SNPT	83,0
38	1" 1/2	-	1" 1/2	22	72	41	61	60	50	TN 94 - 38 SR	-	TN 94 - 38SNPT	117,0		

- Le dimensioni di ingombro si intendono a raccordo chiuso.
 - Les dimensions d'encombrement s'entendent raccord monté.

- Overall sizes are with closed fitting.
 - Baumaße sind ca.-Maße bei angezogener Überwurfmutter.

a) TN 94 - 15 LM L2 = 32
 TN 94 - 14 SNPT L2 = 34; I = 16
 TN 94 - 16 SNPT L2 = 36; I = 16