

- Zinc-plated steel body (CrVI-free)
- With socket device similar to DIN EN 175301 (DIN 43650)
- With changeover switch and silver contacts
- Overpressure safe up to 100 / 300 / 600 bar¹⁾
- Hysteresis adjustable at works



p _{max.} in bar	Adjustment range in bar	Tolerance at room temperature	Thread	Order number:
-----------------------------	----------------------------	----------------------------------	--------	---------------

0184 Diaphragm pressure switch

100 ¹⁾	0.3 – 1.5	± 0.2	M 10x1 con.	0184	457 01	X	001
			M 12x1.5	0184	457 02	X	002
			G 1/4	0184	457 03	X	003
			NPT 1/8	0184	457 04	X	318
			NPT 1/4	0184	457 09	X	314
			7/16-20 UNF	0184	457 20	X	301
			9/16-18 UNF	0184	457 21	X	302

	1 – 10	± 0.5	M 10x1 con.	0184	458 01	X	040
			M 12x1.5	0184	458 02	X	041
			G 1/4	0184	458 03	X	042
			NPT 1/8	0184	458 04	X	343
			NPT 1/4	0184	458 09	X	340
			7/16-20 UNF	0184	458 20	X	341
			9/16-18 UNF	0184	458 21	X	342

300 ¹⁾	10 – 50	± 3.0	M 10x1 con.	0184	459 01	X	007
			M 12x1.5	0184	459 02	X	008
			G 1/4	0184	459 03	X	009
			NPT 1/8	0184	459 04	X	320
			NPT 1/4	0184	459 09	X	311
			7/16-20 UNF	0184	459 20	X	305
			9/16-18 UNF	0184	459 21	X	306

	10 – 100	± 3.0 – 5.0	M 10x1 con.	0184	461 01	X	010
			M 12x1.5	0184	461 02	X	011
			G 1/4	0184	461 03	X	012
			NPT 1/8	0184	461 04	X	321
			NPT 1/4	0184	461 09	X	312
			7/16-20 UNF	0184	461 20	X	307
			9/16-18 UNF	0184	461 21	X	308

0185 Piston pressure switch

600 ¹⁾	50 – 200	± 5.0	M 10x1 con.	0185	460 01	X	001
			M 12x1.5	0185	460 02	X	002
			G 1/4	0185	460 03	X	003
			NPT 1/8	0185	460 04	X	304
			NPT 1/4	0185	460 09	X	303
			7/16-20 UNF	0185	460 20	X	301
			9/16-18 UNF	0185	460 21	X	302

Diaphragm / seal material – areas of application

NBR	Hydraulic / machine oil, heating oil, air, nitrogen etc.	1
EPDM	Brake fluid, ozone, acetylene, hydrogen etc.	2
FKM	Hydraulic fluids (HFA, HFB, HFD), petrol/gasoline etc.	3

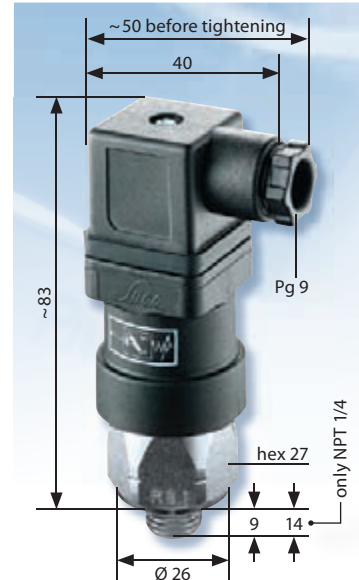
Temperature ranges of diaphragm / seal materials see page 26

Order number:	018X - XXX XX - X - XXX
----------------------	--------------------------------

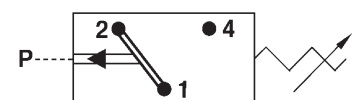
Piston pressure switches are only to a limited extent suitable for use with gases. See explanation on page 9.

¹⁾ Static pressure, dynamic pressures should be 30 to 50% lower. These values refer to the hydraulic or pneumatic part of the pressure switch.

With male thread



- Our pressure switches are also available with factory preset switching points.
- Ready-wired versions can be found starting on page 38 following.
- We offer other body materials and connecting threads upon request.
- Other diaphragm- / seal materials are available on request, e.g. HNBR or silicone for diaphragm pressure switches.
- For further technical data see page 26/27.



Accessories see page 28