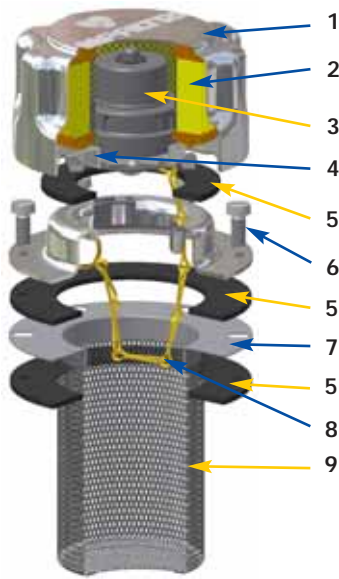


Series TA 80

Metal filler / breather filler caps



TA80 B/D (Materials)

- 1 - Cover: Chrome plated steel
- 2 - Breather filter: Resin impregnated cellulose
- 3 - Pressurisation valve: Bodies: Nylon
End cap-disk: Galvanised Steel
- 4 - Flange and anti-slosh feature: Galvanised Steel
- 5 - Seals: Cork Gasket
NBR
- 6 - Screws and washers: Galvanised Steel
- 7 - Flange: Galvanised Steel
- 8 - Chain, ring: Brass
- 9 - Strainer TA80B: Galvanised Steel

Flow rates with Δp : 0,02 bar

Filtration	l/min
3 μ m	450
10 μ m	550

Weight

Strainer L 80 mm:	0,330 Kg
Strainer L 150 mm:	0,350 Kg

TA 80 B

Bayonet connection
Non-removable strainer



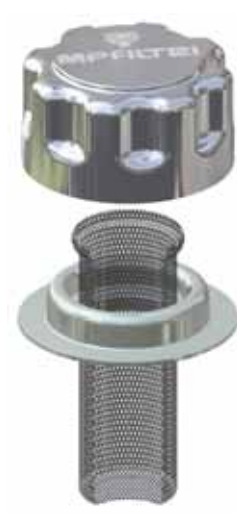
TA 80 B

Bayonet connection
With Padlock Hasp



TA 80 D

Bayonet connection
Removable strainer



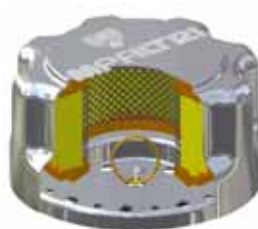
TA80B00....P01

Bayonet connection
Closed filler cap without filter element



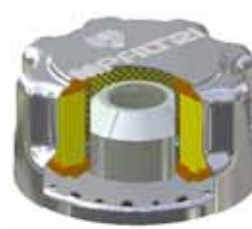
TA80B10....P01

Bayonet connection
Filler cap with filter element



TA80B03.9..P01

Bayonet connection
Filler cap with anti-slosh feature and filter element

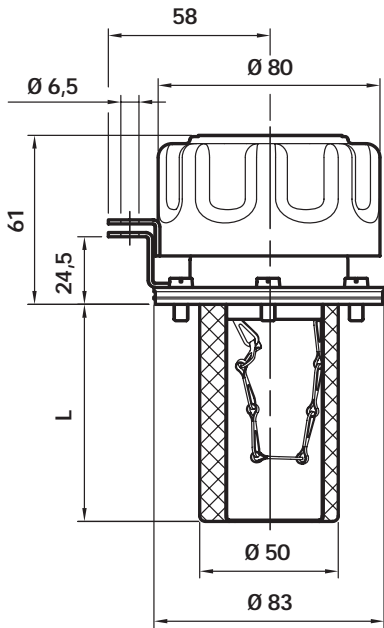


TA80B10.1..P01

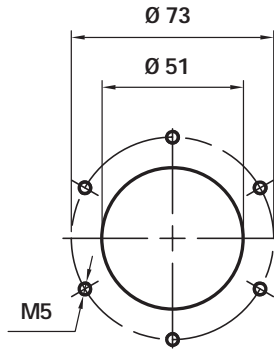
Bayonet connection
Filler cap with pressurisation valve and filter element



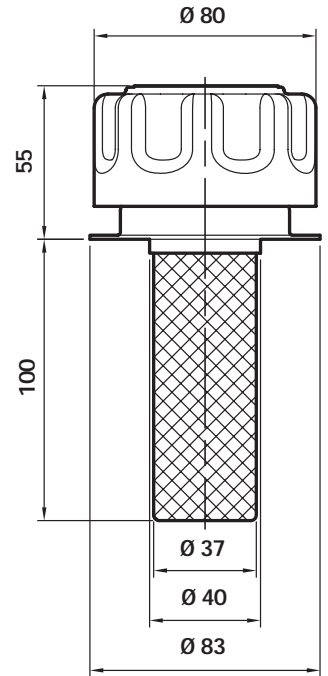
Bayonet connection



Reservoir holes



Weld flange

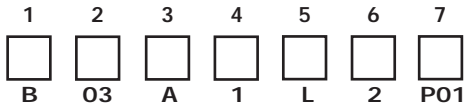


Ordering information

Filler caps series

TA80

Example: TA80



1 - Connection to reservoir

- B Flange with bayonet connection
- D Weld flange

2 - Filter element

- 00 Without filter (Blank filler cap)
- 03 3 µm
- 10 10 µm

3 - Seals

- A NBR
- B Cork Gasket

4 - Valves

- 0 Without
- 1 0,3 bar pressurisation valve (only with seals NBR)
- 2 0,7 bar pressurisation valve (only with seals NBR)
- 9 Anti-slosh feature (only with filter element 3 µm)

5 - Variants

- 0 Standard
- L With Padlock Hasp (B versions only)

6 - Strainer

- 0 Without strainer
- 1 L= 80 mm (B versions only)
- 2 L= 150 mm (B versions only)
- 3 L= 100 mm (D versions only)

7 - Options

- P01 MP Standard