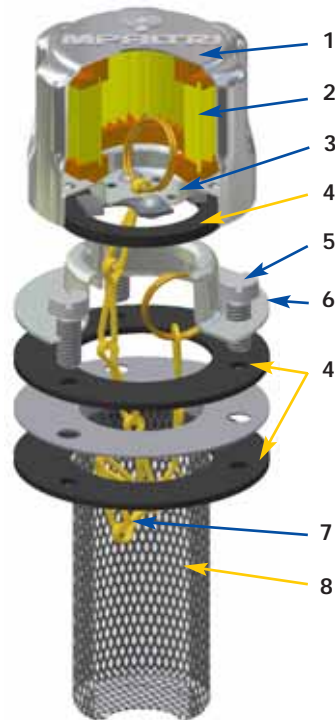


## Metal oil filler and breather filler caps

Series **TA 46**

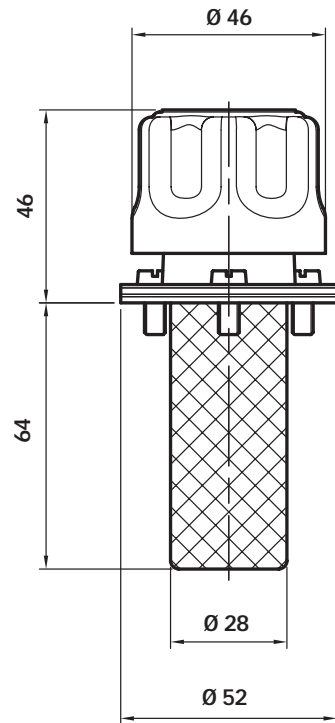
## Dimensions



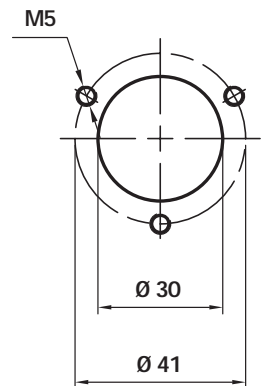
TA46 B (Materials)

- 1 - Cover: Chrome plated steel
- 2 - Breather filter: Resin impregnated cellulose
- 3 - 6 - Flange: Galvanised Steel
- 4 - Seals: NBR  
Cork Gasket
- 5 - Screws: Galvanised Steel
- 7 - Chain, ring: Brass
- 8 - Strainer: Galvanised Steel

### Bayonet connection



### Reservoir holes



### Flow rates with $\Delta p$ : 0,02 bar

Filtration	l/min
3 $\mu$ m	150
10 $\mu$ m	200

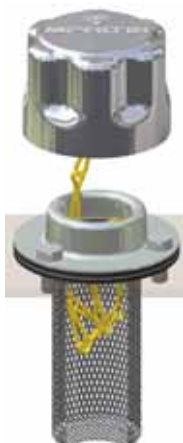
### Weight

TA 46: 0,100 kg

### TA 46 B

Bayonet connection

Non-removable strainer



## Ordering information

### Filler caps series

**TA46**

Example: TA46

1	2	3	4	5	6	7
<input type="checkbox"/>	<input type="checkbox"/>	<input type="checkbox"/>	<input type="checkbox"/>	<input type="checkbox"/>	<input type="checkbox"/>	<input type="checkbox"/>
B	03	A	0	C	1	P01

#### 1 - Connection to reservoir

B Flange with bayonet connection

#### 2 - Filter element

03 3  $\mu$ m  
 10 10  $\mu$ m

#### 3 - Seals

A NBR  
 B Cork Gasket

#### 4 - Valves

0 Without

#### 5 - Variants

0 Standard  
 C With chain

#### 6 - Strainer

0 Without strainer  
 1 L= 65 mm

#### 7 - Options

P01 MP Standard